

Dinajpur Board-2017

Time : 2 hours 35 Minutes

Information and Communication Technology

Subject Code : 275

Creative Question

Marks : 50

[N.B. Answer any five questions. The figures in the right margin indicate full marks.]

1.► Asif gets the opportunity of studying in an American university. But he fall to go to America for financial insolvency. After that he gets the university degree via on-line staying at Bangladesh. Asif earns money from online at the same time of completing his degree. For that, his family's financial condition has improved. His friend Monir gets financial benefit by cultivating new species of tomato trees.

- What is nanotechnology? 1
- Explain the treatment method of low temperature. 2
- How does Asif obtain his university degree? Explain. 3
- Give your opinion on the basic of the stem comparatively analyzing the financial solvency of Asif and Monir. 4

2.★

Roll	Name	Date of Birth	Remarks
101	Rima	21-10-2000	
102	Sima	11-12-1999	
103	Apu	13-07-1998	
104	Jahid	22-12-1999	

- What is router? 1
- Explain character by character data transmission method. 2
- Explain the technique of creating the above table. 3
- What advantage or disadvantage you may get by preserving data on the above technique. Give your opinion on behalf of your answer. 4

3.► Jarif and Jayan are higher secondary students. For improving the standard of their education, they buy a laptop and take internet connection by taking the advice of their ICT teacher. Since they don't have any television set in their house, sometimes all the members of their family watch various programs and cricket matches on that laptop. After some days it seems that Jarif gets much better result than before for having internet connection. But Jayan is lagging behind day by day.

- a. What is cloud computing? 1
- b. "Cable of the optical fibre is called network backbone"- explain. 2
- c. Explain the data transmission mode used in the programs and cricket matches on the light of the stem. 3
- d. Which type of impact is seen in the result of Jarif and Jayan? – Give analytical opinion on the light of the stem. 4

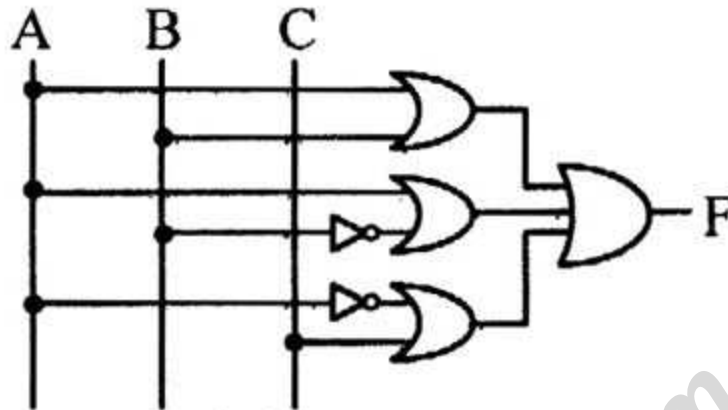
4. ★

```
# include < Stdio.h >
main ( )
int a, b, c, s;
scanf ("%d, %d, %d", & a, & b, & c);
s = a + b + c;
printf ("%d", s);
}
```

- a. What is HTML tag? 1
- b. Explain dynamic website. 2
- c. Draw the flow-chart of the above program. 3

- d. The above program can be solved by using loop control statement- explain with coding. 4

5. ▶



- a. What is computer code? 1
b. Explain the necessity of constructing 2's complement. 2
c. Simplified the value of F of the above figure. 3
d. Simplified value of \bar{F} can be implemented by using NOR gate— explain with figure. 4

6. ★ Look at the stem and answer the following questions:

```
<html>
```

```
<head> <title> ICT </title> </head>
```

```
<body>
```

```
<h3> COLLEGE RESULT </h3>
```

```
<table>
```

```
<tr>
```

```
<th> Roll </th> <th> Name </th> <th> Result </th>
```

```
</tr>
```

```
<tr>
```

```
<td> 501 </td> <td> Sumaiya </td>
```

```
<td> <a href = "Exam Result.html"> My Test
```

```
Result </a> </td>
```

</tr>
</table>
</body>
</html>

- a. What is browser? 1
 - b. It is beneficial to use domain name instead of IP address. —
Explain. 2
 - c. Explain the basic structure of the stem. 3
 - d. Give your opinion on behalf of the necessary statements
that should be taken for watching the stem on the internet. 4
7. ► Three sons of Jakir saheb wants to go to digital market and
demands money from their father. Jakir saheb gives 'X' taka to his
first son, 'Y' taka to his second son and 'Z' taka to his third son.
- a. What is key word in 'C' language? 1
 - b. "Defaults of low level language are the reasons of the
invention of high level language"- explain. 2
 - c. Calculate the average of the obtained money of Jakir saheb
sons in 'C' language. 3
 - d. Give your opinion on behalf of the process that can help to
easily understand the problem of the stem. 4
8. ★ Students name, roll, section, GPA etc. items are used for
creating database. Help of many programmes have been taken.
Data modifying, arrangement and maintenance are beautiful.
- a. What is data encryption? 1
 - b. Explain the database of big financial organizations. 2
 - c. Explain unit data item on the light of the stem. 3
 - d. Give your opinion about primary works of the stem's
programmes. 4

[N. B. Answer all the questions. Each question carries one mark. Block fully, with a ball point pen, the circle of the letter that stands for the correct/best answer in the "Answer Sheet" for Objective Type Examination.]

1. Which one is the 4th generation language?
 (a) BASIC (b) PASCAL
 (c) INTELLECT (d) CSL
2. What is the relation of foreign key with primary key?
 (a) one to one (b) one to many
 (c) many to one (d) many to many
3. Which one is the deleting option of the record in the database?
 (a) Delete data (b) Delete field
 (c) Delete record (d) Delete row
4. Which one is the correct sequence of creating data file?
 (a) letter → field → record → database
 (b) field → record → table → database
 (c) record → field → information → database
 (d) record → field → letter → database

Read the following stem and answer question no 5 and 6:

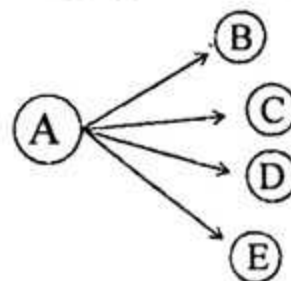
Roll	Name	Marks
701	A	80
702	B	85

5. What does A called in the stem?
 (a) Record (b) Field
 (c) Data (d) Table
6. What is the data type of the last field in the table?
 (a) Text (b) Number
 (c) Date/time (d) Memo
7. What is the base of octal number?
 (a) 2 (b) 8
 (c) 10 (d) 16
8. Which one is used in virtual reality?
 (a) Three dimensional simulation
 (b) Two dimensional simulation
 (c) Hand geometry
 (d) Biological data
9. Which one is mainly used in artificial

intelligence?

- (a) PYTHON (b) HTML
 (c) COBOL (d) PROLOG

10. The following figure is of which mode?



- (a) Simplex (b) Half duplex
 (c) Full duplex (d) Multi-cast

11. Output of the NOR gate will be 0(zero) when —
 i. any output is 0(zero)
 ii. all inputs are 1
 iii. any input is 1(zero)

Which one is correct?

- (a) i & ii (b) i & iii
 (c) ii & iii (d) i, ii & iii

12. Address of the web page is called what?

- (a) URL (b) HTTP
 (c) HTML (d) WWW

13. Which one is the full form of DNS?

- (a) Domain Name Server
 (b) Domain Name System
 (c) Domain Number System
 (d) Domain Number of Server

Read the following stem and answer question no 14 and 15:

Monima's college is a three-storeyed building. Their computer teacher decides to take all the computers stayed on different floor on the same network.

14. Network of the college can be made by using —
 i. cables
 ii. satellite
 iii. radio link

Which of the following is correct?

- (a) i & ii (b) i & iii
 (c) ii & iii (d) i, ii & iii

15. ★ After starting the network, Monima will get the advantage of—
 i. using all softwares
 ii. combining the works of all computers
 iii. transferring one computer's device to another one

Which of the following is correct?

- (a) i & ii (b) i & iii
 (c) ii & iii (d) i, ii & iii

16. What does it called of connecting one page to another page in HTML language?

- (a) Connection (b) Hyperlink
 (c) Link (d) Addition

17. What is the full form of ISP?

- (a) Internet Super Power
 (b) Internet Server Provider
 (c) Internet Server Programme
 (d) Internet Service Provider

Read the following stem and answer question no 18 and 19:

Md. Atik said Kamal, "What is your age?" Kamal said that his age is $(101101)_2$.

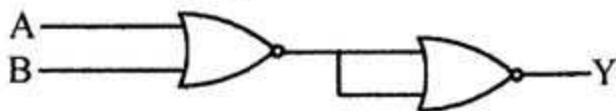
18. ★ Equivalent number of Kamal's age is —

- (a) $(25)_8$ (b) $(35)_8$
 (c) $(55)_8$ (d) $(65)_8$

19. ★ What will be Kamal's age in binary number after ten years?

- (a) $(101011)_2$ (b) $(101110)_2$
 (c) $(101111)_2$ (d) $(110111)_2$

Answer question no. 20 and 21 by observing the following figure:



20. The above figure is equivalent to which

gate?

- (a) NOT (b) AND
 (c) OR (d) NOR

21. Value of Y will be 1 if—

- i. A = 0, B = 1
 ii. A = 0, B = 0
 iii. A = 1, B = 0

Which of the following is correct?

- (a) i & ii (b) i & iii
 (c) ii & iii (d) i, ii & iii

22. Which one converts source programme into destination programme?

- (a) Compiler (b) Interpreter
 (c) Linker (d) Assembler

23. ★ Which one is translated in machine language?

- (a) Operant (b) Level
 (c) Comment (d) Operation code

Read the following stem and answer question no. 24 and 25:

```
# include < stdio.h >
main ( )
{
float r,
printf ("Enter your GPA");
scanf ("%d", & r);
}
```

24. What is declare r in the programme?

- (a) Variable (b) Constant
 (c) Key word (d) Statement

25. In stead of using %d in the programme, can be used —

- i. %.2f
 ii. %.f
 iii. %.r

Which of the following is correct?

- (a) i & ii (b) i & iii
 (c) ii & iii (d) i, ii & iii

Ans.	1	(d)	2	(d)	3	(c)	4	(b)	5	(c)	6	(b)	7	(b)	8	(a)	9	(d)	10	(d)	11	(c)	12	(a)	13	(b)
	14	(a)	15	(d)	16	(b)	17	(d)	18	(c)	19	(d)	20	(c)	21	(b)	22	(a)	23	(d)	24	(a)	25	(a)		